

GameVue 5.6" monitor GV3000

Installation and Operation Manual

(GameVue 5.6" will only work with Sony PSOne®)

Installing your 5.6" Game Vue:

- Step 1: Remove GameVue from packaging and locate
 mounting screws provided.
- Step 2: Place GameVue to rear of PSOne® being sure to
 align the power plug and signal plug with ports on
 PSOne®.
- Step 3: Place mounting screws in locations designated.
 Push mounting screws in gently until they come to a stop.
- Step 4: Tighten mounting screws down by hand by turning them
 to the right.
- Step 5: Connect 7.5 VDC power plug provided with PSOne® to
 plug location on rear of GameVue. (See Figure 2)

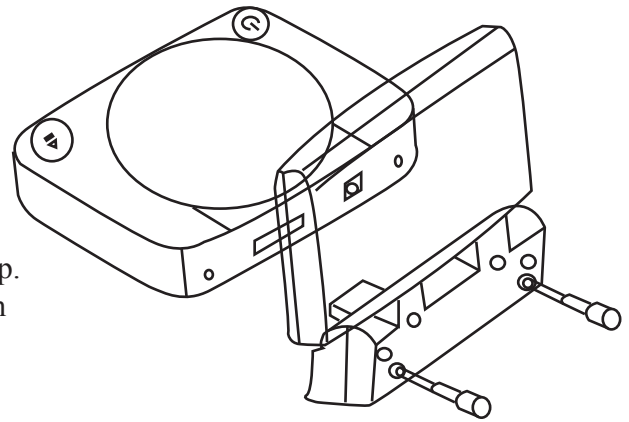


Figure 1

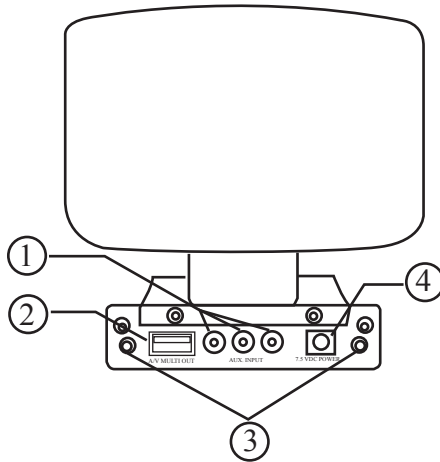


Figure 2

Connections on GameVue 5.6":

- Auxiliary Input-Ability to add another source unit i.e.
 VCP, DVD, etc.
- A/V Multi Out-Ability to use PSOne® on another TV i.e.
 Home Television, Car Television, etc. with
 cable included with PSOne®
- Mounting Holes-Locations designated for fastening
 GameVue to PSOne® with mounting
 screws provided.
- Power plug-Using 7.5 VDC power plug included with
 PSOne® provides power to both PSOne® and
 Game Vue 5.6".

Front Panel functions and adjustments:

- Power Button-Turns GameVue 5.6"(only) on
 and off.
- Mode Button-Switches between PSOne® and
 Auxiliary input (when used).
- Speakers-For listening to either Game or Auxiliary
 input (when used).
- Power Plug-Connects to power port on PSOne®.
- Signal Plug-Provides signal from PSOne® to
 GameVue 5.6".
- VOL-Allows user to adjust volume of speakers built
 into GameVue 5.6".
- BRIGHT-Allows user to adjust picture brightness.
- COLOR-Allows user to adjust color of picture.
- Headphone-Allows user to plug-in optional headphones for
 private listening.

