

*Car Show*TM

10.4" OVERHEAD MONITOR



USERS MANUAL

V1.0

INDEX

NO	CONTENT	PAGE
1	Specifications	2
2	Installation Instructions	3-4
3	Monitor Controls	6-7
4	OSD Settings	8-9
5	Wiring Harness	10
6	Precautions	11
	Intended Use/Registrations	12

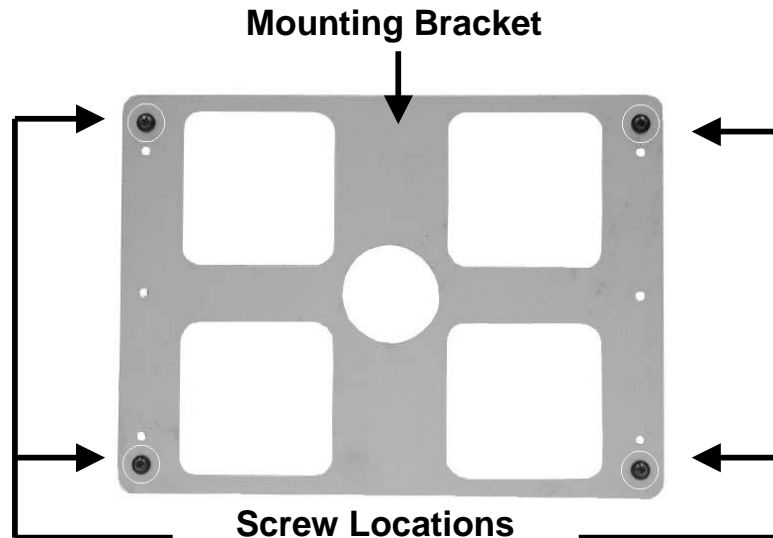
1. Specifications

Resolution	800(H) × 600(V) x 3(RGB) (1,440,000) Pixels
Display Area	211.2(H) × 158.4(V)
Size	10.4" TFT
Brightness	280 cd/m ²
Response Time	15 millisecond
View Angle	Top=30°, Bottom=50° Left=50°, Right=50°
Video Input	Composite Video (RCA)(F) ×2 (NTSC, PAL, SECAM)
Audio Input	Stereo Sound Input (RCA)(F) ×2
Power Input	DC 12~35V, 3A(Max)
Audio Output	IR Transmitter 2.3MG&2.8MG Left and Right Composite Audio Out
Control Function	Display Key (6 Key) Control
	Wireless Remote Control
Monitor Adjustments	BRIGHTNESS CONTRAST SHARPNESS HUE SATURATION
Power Consumption	10W (MAX)
Operating Temperature	Operating: 0~50°C / 32~122°F Storage: 0~60°C / 32~140°F
Weight/ Dimensions	2.5kg ±200g / 5.5 lbs 1.70"(H) x 12.18"(W) x 12.27"(L)

2. Installation

Step 1

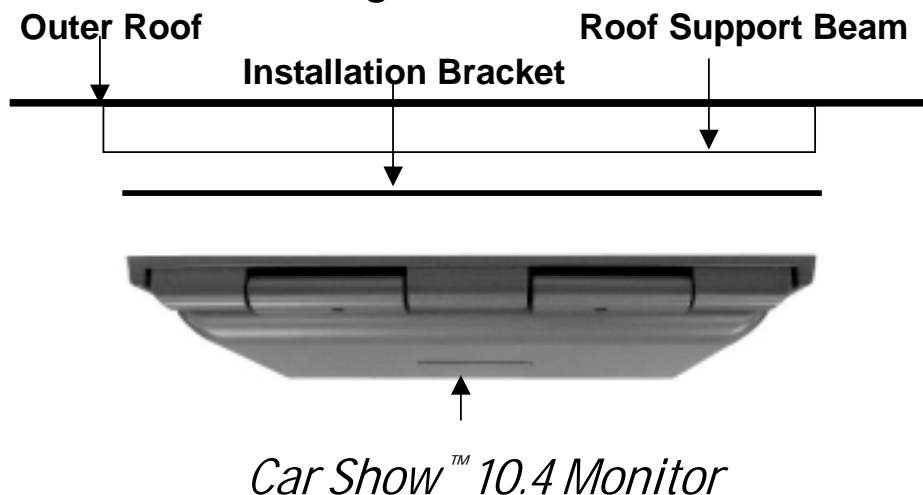
NOTE: The mounting bracket is directional and must be aligned to the monitors mounting holes. Pay special attention to the proper screw locations.



Step 2

Attach the mounting bracket to the vehicles roof support beam using the provided screws.

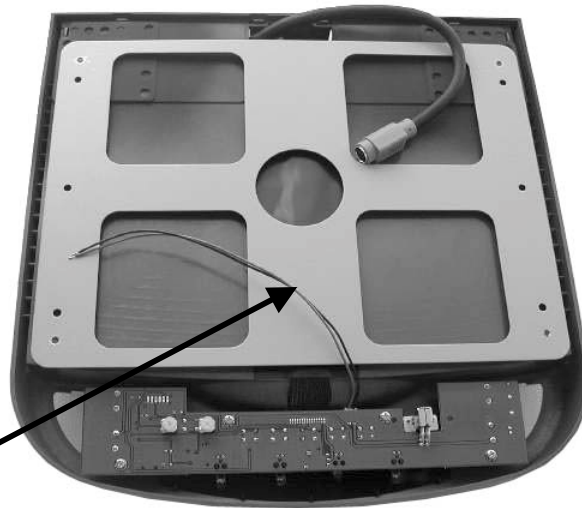
NOTE: 2 different screw lengths are included. Use the correct length for the installation.



Step 3

Attach the monitor to the mounting bracket with the provided screws. Screw locations shown with arrows →

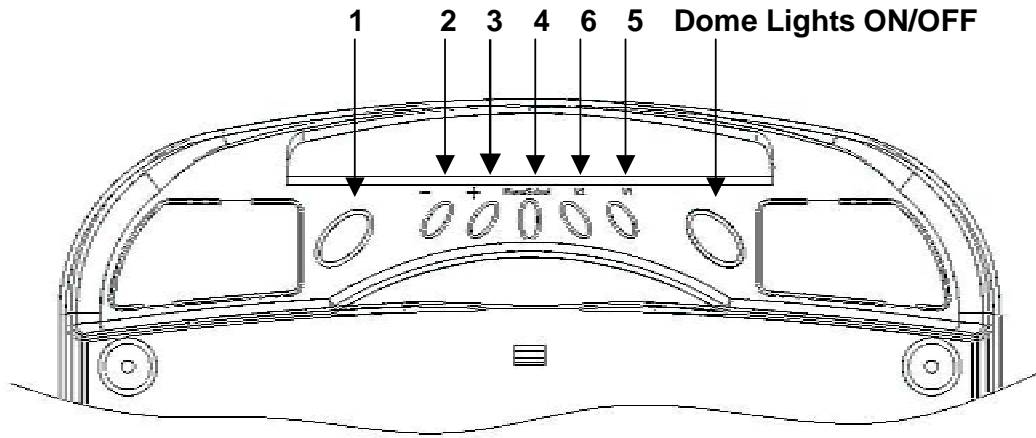
See Step 1



Note bracket alignment to monitor position

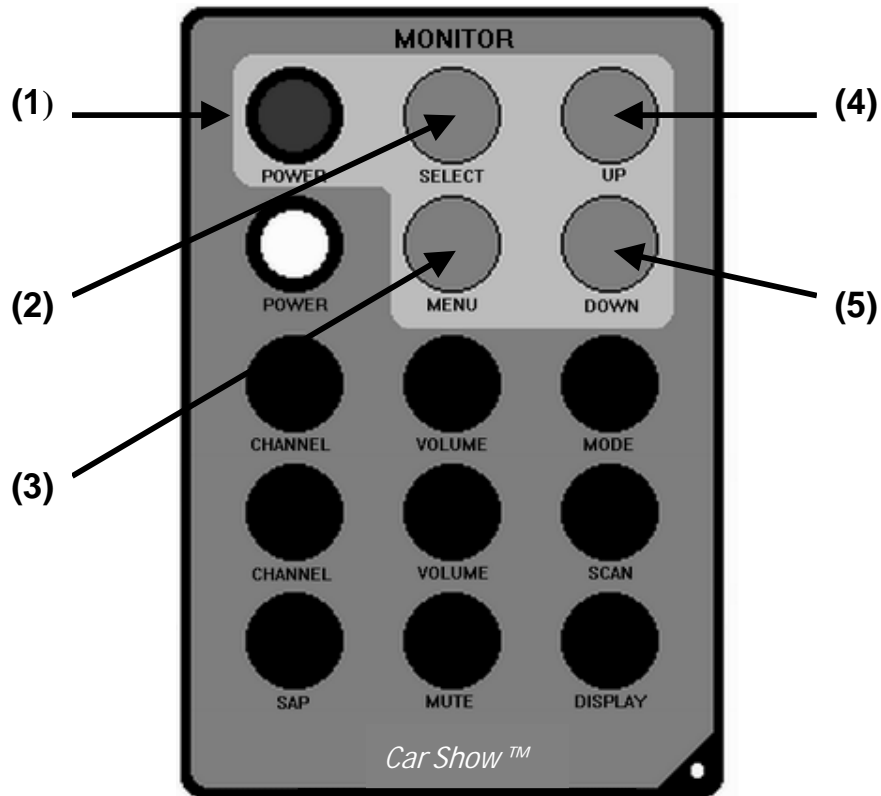
3. Monitor Controls

Monitor Mounted Control Operation



1. **Power** : Push this button to Power ON or OFF the LCD.
2. **” - “** : Push this button to decrease the degree of the function that you selected.
3. **” + “** : Push this button to increase the degree of the function that you selected.
4. **MENU/SELECT** : Push this button to show the menu list and select the menu function.
5. **V1** : Push this button to select Video 1 input.
6. **V2**: Push this button to select Video 2 input.

Remote Control Operation



(1) POWER : Push the RED button to Power On or Off the LCD.

(2) SELECT : Push this button to select Video 1 or 2 Input.

(3) MENU : Push this button to show the menu list and select the menu function.

(4) UP : Push this button to decrease the degree of the function that you selected.

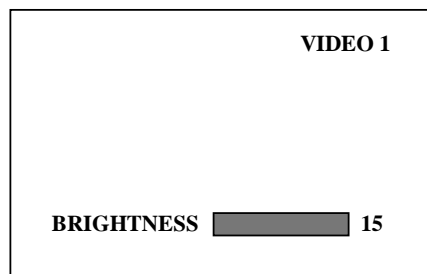
(5) DOWN : Push this button to decrease the degree of the function that you selected.

4. OSD Functions

OSD MENU LIST

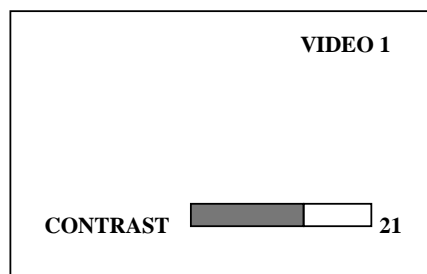
BRIGHTNESS:

Adjust the brightness of screen.
Adjustment Range : 0 ~ 15



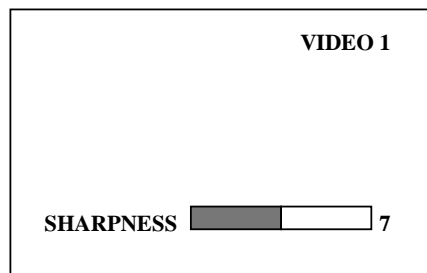
CONTRAST:

Adjust the contrast of screen.
Adjustment Range : 0 ~ 31



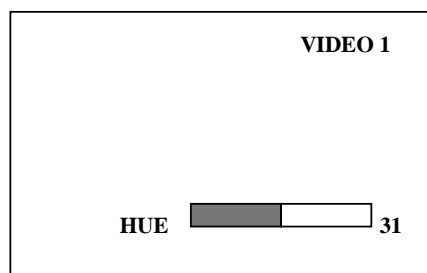
SHARPNESS:

Adjust the sharpness of screen.
Adjustment Range : 0 ~ 15



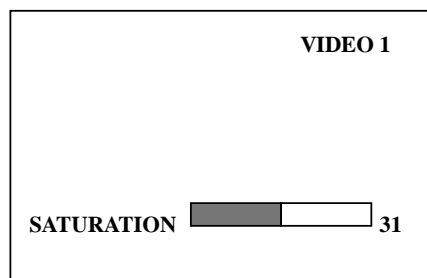
HUE:

Adjust HUE function.
Adjustment Range : 0 ~ 62



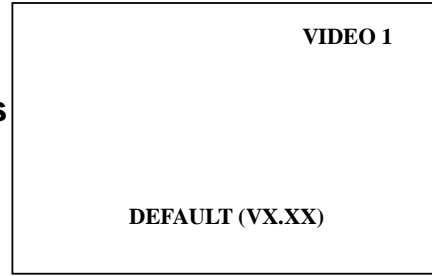
SATURATION:

Adjust the Saturation of picture.
Adjustment Range : 0 ~ 62



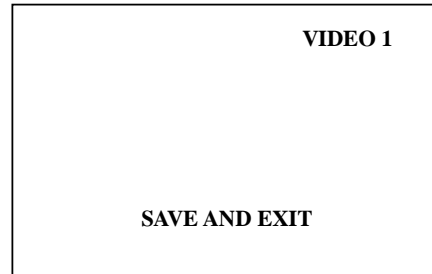
DEFAULT:

Return to the original LCD settings

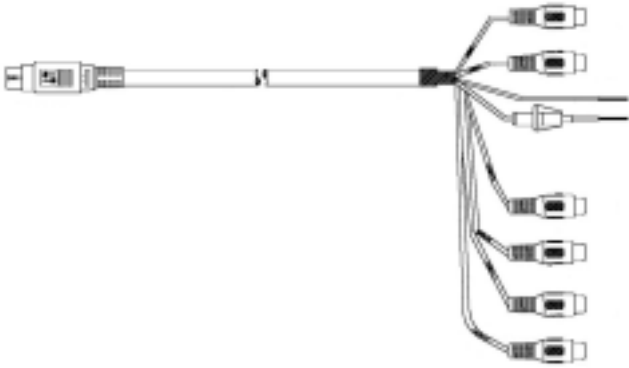


SAVE AND EXIT:

**Save your personal settings and
exit to Menu mode.**



5. Wiring Harness

	Accessories	Description
1		<p>Power cable w/ 3A/250V Fuse Yellow : Video input 1, Video input 2 Red: Audio input (R)1, Audio input (R)2 White: Audio input (L)1, Audio input(L)2 Power input connector: Red: 12v+ Switched Black: Ground</p>

6. Precautions

USING YOUR MONITOR

- Do not press directly on the LCD screen.
- Do not apply any liquid directly on the LCD screen to clean. If you need to clean the LCD screen use an approved LCD cleaning cloth.
- Do not add any parts or use any accessories which are not provided by Rosen.
- Do not use or store in the temperatures exceeding: (Operating 0~50°C/32~122°F, Storage 0~60°C/32~140°F)
- Be careful when moving the monitor so as not to damage the LCD screen.

INSTALLATION

- Connect power (+) to ACC, instead of ACC/Start. If you connect the power to ACC/Start the monitor might shutdown during vehicle start-up. If the monitor shuts down due to this reason, please re-start the car.
- Make sure to use the correct screws for mounting the mounting bracket to the vehicles roof beam and when connecting the monitor to the mounting bracket. The following screws are provided with this monitor:

Mounting Bracket to Roof Support Beam: M4x0.7x6

Monitor to Mounting Bracket: M4x¼ "x8

NOTICE OF INTENDED USE

ROSEN ENTERTAINMENT SYSTEMS ARE DESIGNED TO ENABLE VIEWING OF VIDEO RECORDINGS ONLY FOR REAR-SEAT OCCUPANTS. MOBILE VIDEO PRODUCTS ARE NOT INTENDED FOR VIEWING BY THE DRIVER WHILE THE VEHICLE IS IN MOTION. SUCH USE MAY DISTRACT THE DRIVER OR INTERFERE WITH THE DRIVER'S SAFE OPERATION OF THE VEHICLE, AND THUS RESULT IN SERIOUS INJURY OR DEATH. SUCH USE MAY ALSO VIOLATE STATE LAW.

ROSEN ENTERTAINMENT SYSTEMS DISCLAIMS ANY LIABILITY FOR ANY BODILY INJURY OR PROPERTY DAMAGE THAT MAY RESULT FROM ANY IMPROPER OR UNINTENDED USE.

About the Registered Marks

This product incorporates copyright protection technology that is protected by method claims of certain U.S. patents and other intellectual property rights owned by Macrovision Corporation and other rights owners. Use of this copyright protection technology must be authorized by Macrovision Corporation, and is intended for home and other limited viewing uses only unless otherwise authorized by Macrovision Corporation. Reverse engineering or disassembly is prohibited.

*Car Show*TM

ROSEN ENTERTAINMENT SYSTEMS

1120 CALIFORNIA AVENUE • CORONA, CA 92881

PH: (951) 898-9808 • FAX: (951) 898-9897

EMAIL: info@rosenentertainment.com

WEB: www.rosenentertainment.com

PN 9100471-90 Rev A